



**Ersatzteilliste  
Spare parts list**

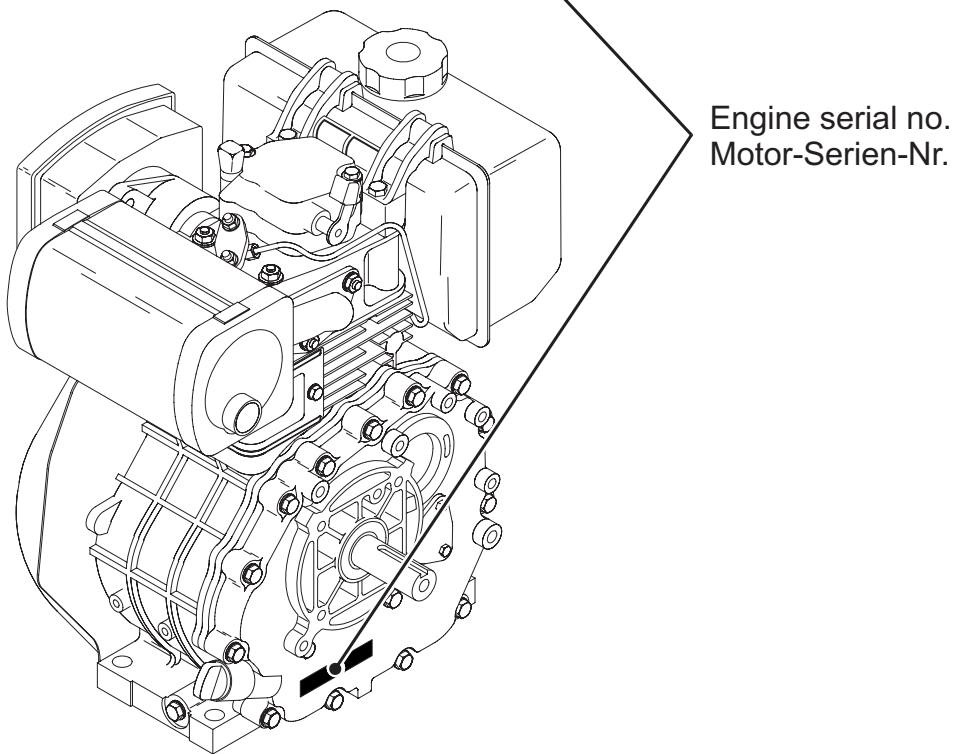
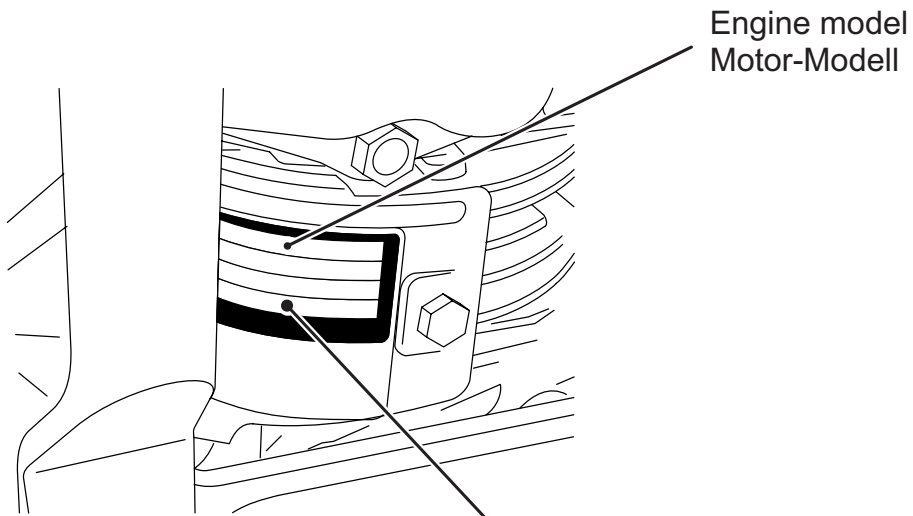
**Montiert auf Vibrationsstampfer  
Installed on Vibration Rammer**

**ADS 70**

**S/N 1035591-**

---

**Yanmar L48N**



---

## **Ammann Verdichtung GmbH**

Josef-Dietzgen-Straße 36 • D-53773 Hennef

Postfach 1163 • D-53758 Hennef

Tel.: +49 2242 8802-926 • FAX: +49 2242 8802-89

e-mail: [spare-parts.hennef@ammann-group.com](mailto:spare-parts.hennef@ammann-group.com)

[www.ammann-group.com](http://www.ammann-group.com)

# P R E F A C E

1. This parts catalog is the 1st edition of L48N5AF3T0AAAN for AMMANN.

Pub.No. : 0CW10-G65800

Published : July, 2010

2. Model name

Engine model	Vehicle	Vehicle made by
L48N5AF3T0AAAN	STAMPER	AMMANN

## Directions for the Parts Catalog.

1. The parts stipulated in this Parts Catalog are not necessarily standard equipped parts.
2. Parts may change without prior notice.
3. The following is an example of the Parts Catalog format.

REF.	LEV.	PARTS NO.	DESCRIPTION	Q'TY						I	R
				(A)	(B)	(C)	(D)	(E)	(F)		
1	1	729595-51390	FUEL INJECTION PUMP	1	1	1	1	1			1
1-1	1	729595-51391	FUEL INJECTION PUMP	1	1	1	1	1		N	1
		(A=E00185) (B=E00200)									
3	2	26022-060162	SCREW M 6X 16	9	9	9	9	9			
3-1	2	26022-060162	SCREW M 6X 16	4	4	4	4	4		K	
		(A=E00156) (B=E00156) (C=E00156) (D=E00156) (E=E00156)									
4	2	129470-51040	CAMSHAFT	1	1	1	1	1			
5	2	122710-51050	BEARING, ROLLER	2	2	2	2	2			
6	2	129470-51060	RETAINER	1	1	1	1	1			

Remarks
(1) BOOST COMPEMSATOR TYPE. OPTIONAL PART, TO E00155,(4JH-DT, 4JH-DTZ

### ① Ref. No.

The Ref. No. listed may not be in accordance with the illustration Ref. No.

(Ex.) Illustration No.

List Ref No.

1

1

(Before change)

1-1

(After change)

For interchangeable symbols N, R and K, illustrations for new parts may be abbreviated.

### ② Lev. (Level)

Level indication

The numbers below indicate the level of relativity towards the main part.

1 ----- Main parts (Assembly parts)

2 ----- Sub component included in " 1 ".

3 ----- Sub component included in " 2 ".

Note) Parts that are not for sale are partially illustrated but not listed.

### ③ Interchangeability Mark

When a part change takes place, one of the following interchangeability symbols is indicated beside the part.

Symbol	Interchangeability	Contents note
N	Old $\begin{matrix} \leftarrow \text{Yes} \\ \text{No} \rightarrow \end{matrix}$ New	New Part is interchangeable for Old Part but Old Part is not interchangeable for New Part.
Q	Old $\begin{matrix} \leftarrow \text{No} \\ \text{Yes} \rightarrow \end{matrix}$ New	New Part is not interchangeable for Old Part but Old Part is interchangeable for New Part.
R	Old $\begin{matrix} \leftarrow \text{Yes} \\ \text{Yes} \rightarrow \end{matrix}$ New	New/ Old Parts are both interchangeable.
S	Old $\begin{matrix} \leftarrow \text{No} \\ \text{No} \rightarrow \end{matrix}$ New	New/ Old Parts are both not interchangeable.
W		Part newly added.
Z		Part discontinued.
F		Not interchangeable by a single part but interchangeable together with related parts.
K		Changes only for used parts quantities.

### ④ Effective Machine No.

When a part changes, the effective Machine No. will be indicated in the (A)-(F) column.

Product Symbol	Product No.	Product Symbol	Product No.
C	Clutch No. Compressor No.	F	Machine No. (Agricultural Equip.)
D	Drive No.	M	Machine No.
E	Engine No.		

Note 1) A date may follow the symbol. (Ex.) 1996.01

Note 2) "XXXXX" and "ZZZZZ" are for parts that could not be predicted or for engine models that could not be identified.

Note 3) (A=E00185) is the E (Engine Serial Number) for the column (A) model (in this case 4JH-DT) after the parts design change.

### ⑤ Remarks Mark

Figures or alphabets (symbols) are entered in the remarks column.

The comments (remarks) on parts that are indicated at the bottom of the illustration are the same symbols as those stated above.

# CONTENTS

MODEL : L48N5AF3T0AAAN

PC NO : 0CW10-G65800

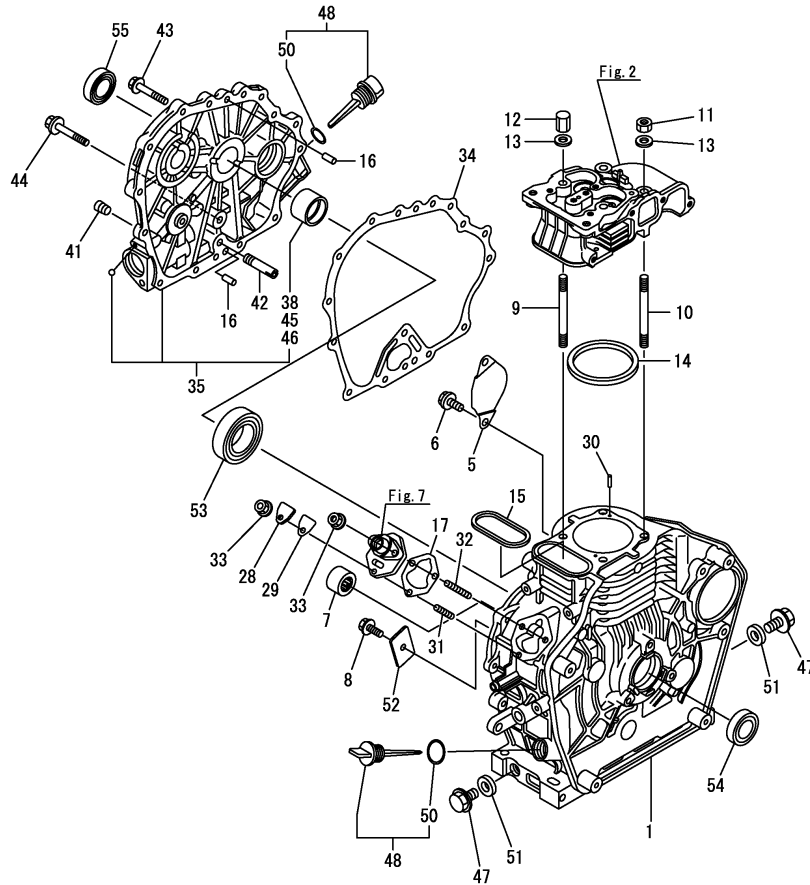
Fig.No. GROUP NAME

L48N5AF3T0AAAN

1. CYLINDER BLOCK
2. CYLINDER HEAD & BONNET
3. AIR CLEANER & MUFFLER
4. CRANKSHAFT,PISTON & CAMSHAFT
5. LUB.OIL PUMP & GOVERNOR
6. COOLING & STARTING DEVICE
7. F.I.PUMP & F.I.VALVE
8. FUEL TANK & FUEL PIPE
9. LABEL & GASKET SET

Fig.No. GROUP NAME

Fig.1. CYLINDER BLOCK



(A)=L48N5AF3T0AAAN

(B)=

(C)=

(D)=

(E)=

(F)=

REF.	LEV.	PARTS NO.	DESCRIPTION	QTY						I	R
				(A)	(B)	(C)	(D)	(E)	(F)		
1	1	11429C-01020	BLOCK ASSY, CYLINDER	1							
5	1	114399-01700	COVER, STARTER	1							
6	1	26106-100122	BOLT M10X 12 PLATED	2							
7	1	24162-152112	NEEDLE BEARING	1							
8	1	26106-080122	BOLT M 8X 12 PLATED	1							
9	1	114299-01200	BOLT, CYL.HEAD A	2							
10	1	114299-01210	BOLT, CYL.HEAD B	2							
11	1	114299-01220	NUT, CYLINDER HEAD A	2							
12	1	114299-01230	HEAD NUT(B	2							
13	1	124950-01250	WASHER	4							
14	1	114295-01340	GASKET, HEAD 0.5	1							
15	1	114299-01380	O-RING	1							
16	1	114299-01600	PIN, 8X12	2							
17	1	114299-01800	SHIM SET	1							
28	1	114299-01830	COVER,(FO PUMP	1							
29	1	114250-01841	GASKET, COVER	1							
30	1	22312-040080	PARALLEL PIN, M4X8	2							
31	1	26226-060182	STUD M 6X 18 PLATED	1							
32	1	26226-060222	STUD M 6X 22 PLATED	2							
33	1	26366-060002	NUT M 6	3							
34	1	114299-01410	GASKET, CRANK CASE	1							
35	1	114299-01450	COVER (D),CRANK CASE	1							
38	2	114250-02100	BEARING, MAIN	1							1
41	1	23876-010000	PLUG PT1/8,SCREW	1							
42	1	114299-35150	PIPE, L.O. INLET	1							
43	1	26106-060252	BOLT M 6X 25 PLATED	14							
44	1	26106-080352	BOLT M 8X 35 PLATED	1							
45	1	114250-02200	MAIN BEARING US=0.25	1							2
46	1	114250-02210	MAIN BEARING US=0.50	1							3
47	1	114299-01690	PLUG M16	2							
48	1	114299-01760	CAP, W/LUB.OIL GAUGE	2							
50	2	114299-01950	O-RING	2							
51	1	22190-160002	WASHER, 16	2							
52	1	114299-02030	RETAINER, BEARING	1							
53	1	114250-02113	BALL BEARING	1							
54	1	114299-02220	SEAL, OIL	1							
55	1	160210-02220	SEAL, OIL	1							

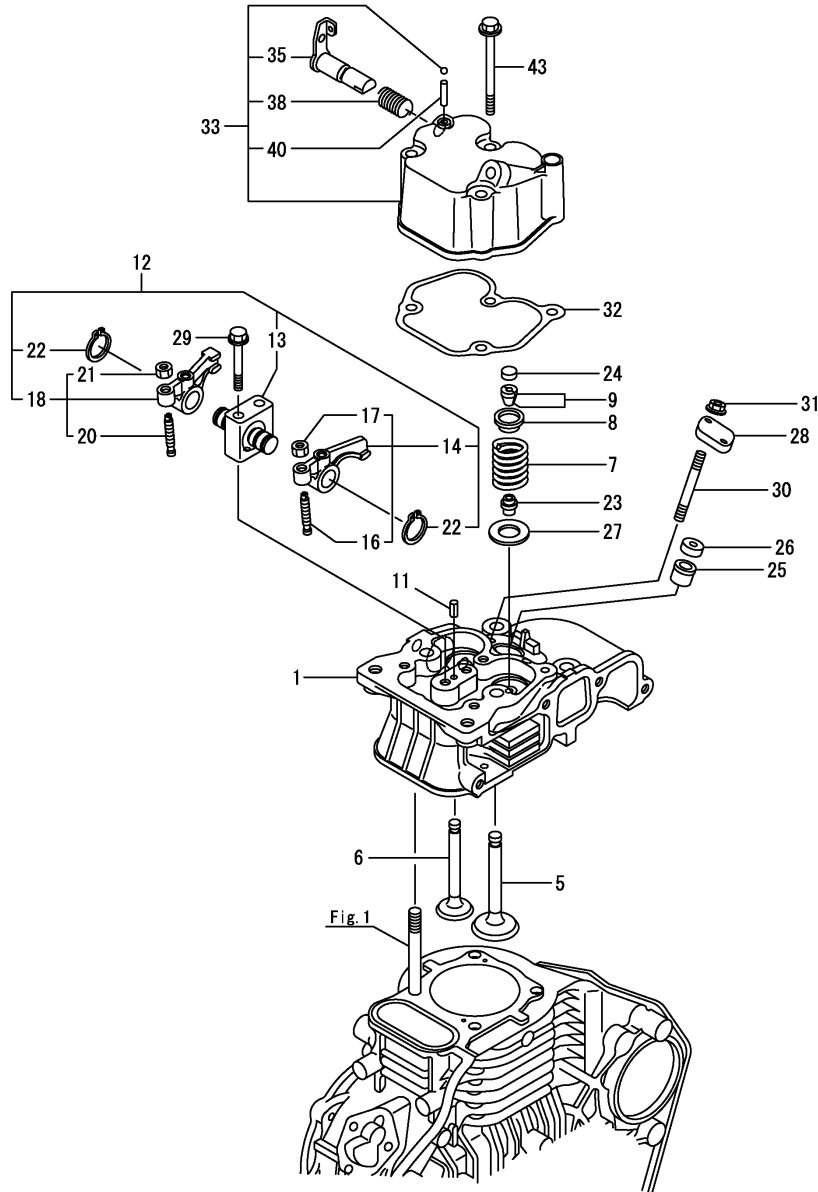
Remarks

(1)Repair parts.

(2)Under sized(U.S.=0.25)parts.

(3)Under sized(U.S.=0.50)parts.

Fig.2. CYLINDER HEAD & BONNET



0CW10-G65800 2. CYLINDER HEAD & BONNET

(A)=L48N5AF3T0AAAN

(B)=

(C)=

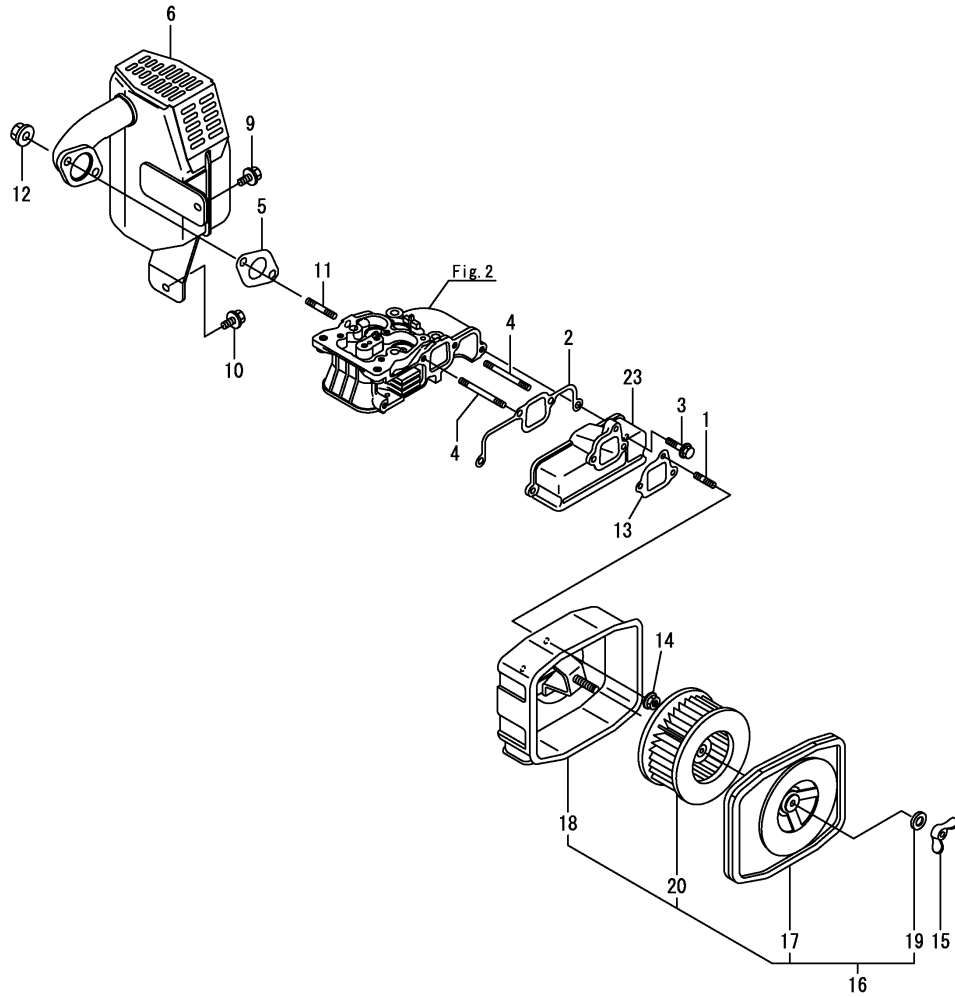
(D)=

(E)=

(F)=

REF.	LEV.	PARTS NO.	DESCRIPTION	QTY						I	R
				(A)	(B)	(C)	(D)	(E)	(F)		
1	1	114120-11020	HEAD ASSY, CYLINDER	1							
5	1	11429C-11100	VALVE, INTAKE	1							
6	1	11429C-11110	VALVE, EXHAUST	1							
7	1	114299-11120	SPRING, VALVE	2							
8	1	114250-11180	RETAINER, SPRING	2							
9	1	27310-055001	COTTER, 5.5	2							
11	1	22351-040008	SPRING PIN 4X 8	1							
12	1	11429C-11250	SUPPORT ASSY, ROCKER	1							
13	2	11429C-11260	SUPPORT, ROCKER ARM	1							
14	2	11429C-11650	ARM ASSY, INTAKE	1							
16	3	114250-11240	SCREW, VALVE ADJUST.	1							
17	3	26856-060002	NUT, M6	1							
18	2	11429C-11660	ARM ASSY, EXHAUST	1							
20	3	114250-11240	SCREW, VALVE ADJUST.	1							
21	3	26856-060002	NUT, M6	1							
22	2	22242-000120	CIRCLIP 12	2							
23	1	114250-11340	SEAL, VALVE STEM	2							
24	1	119260-11370	CAP, VALVE	2							
25	1	114240-11450	PROTECTOR, NOZZLE	1							
26	1	114240-11550	SEAT, NOZZLE	1							
27	1	114299-11600	WASHER, VALVE SPRING	2							
28	1	114299-11901	RETAINER, NOZZLE	1							
29	1	26106-060452	BOLT M 6X 45 PLATED	2							
30	1	114110-11910	STUD, M6X65	2							
31	1	26366-060002	NUT M 6	2							
32	1	114771-11310	GASKET, BONNET	1							
33	1	114295-11951	BONNET ASSY, HEAD	1							
35	2	114250-03591	SHAFT ASSY, DECOMP.	1							
38	2	114299-03640	SPRING, DECOMP.	1							
40	2	22312-030160	PARALLEL PIN, M3X16	1							
43	1	26106-060552	BOLT M 6X 55 PLATED	3							

Fig.3. AIR CLEANER & MUFFLER



0CW10-G65800 3. AIR CLEANER & MUFFLER

(A)=L48N5AF3T0AAAN

(B)=

(C)=

(D)=

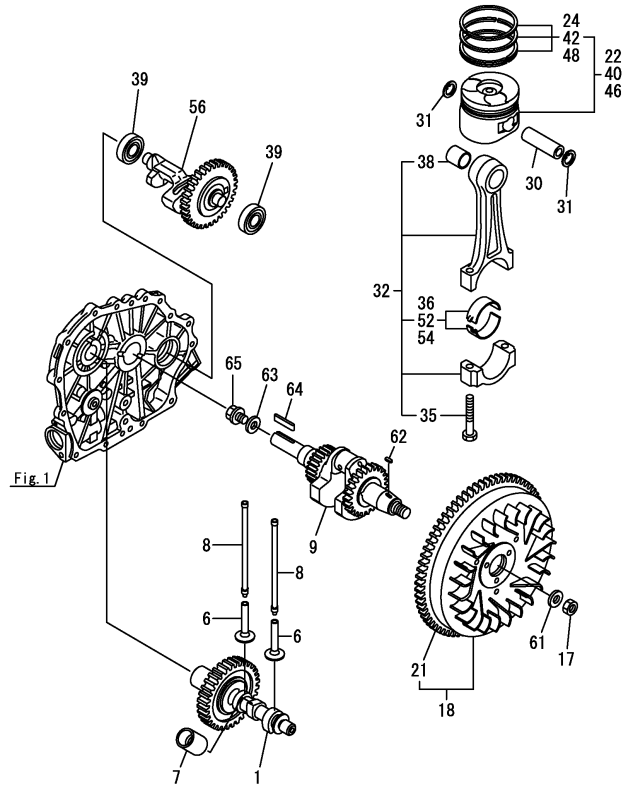
(E)=

(F)=

REF.	LEV.	PARTS NO.	DESCRIPTION	Q'TY						I	R
				(A)	(B)	(C)	(D)	(E)	(F)		
1	1	26226-060142	STUD M 6X 14 PLATED	1							
2	1	114771-12200	GASKET,AIR INTAKE	1							
3	1	26106-060252	BOLT M 6X 25 PLATED	2							
4	1	26226-060602	STUD, M6X60	2							
5	1	114299-13200	GASKET, MUFFLER	1							
6	1	114120-13500	MUFFLER ASSY, AM	1							
9	1	26106-060142	BOLT M 6X 14 PLATED	1							
10	1	26106-060182	BOLT M 6X 18 PLATED	1							
11	1	26216-080182	STUD M 8X 18 PLATED	2							
12	1	26366-080002	NUT M 8	2							
13	1	114299-12210	GASKET, AIR CLEANER	1							
14	1	114299-12300	U-NUT	3							
15	1	114252-12550	WING-NUT, M 8	1							
16	1	114120-12570	CLEANER ASSY, AIR	1							
17	2	114288-12520	COVER ASSY	1							
18	2	114288-12532	CASE ASSY, CLEANER	1							
19	2	114252-12560	WASHER M 8, SEAL	1							
20	3	114650-12590	ELEMENT W/PRE-FILTER	1							
23	1	114771-12010	PIPE, AIR INTAKE	1							



Fig.4. CRANKSHAFT,PISTON & CAMSHAFT



0CW10-G65800 4. CRANKSHAFT,PISTON & CAMSHAFT

(A)=L48N5AF3T0AAAN

(B)=

(C)=

(D)=

(E)=

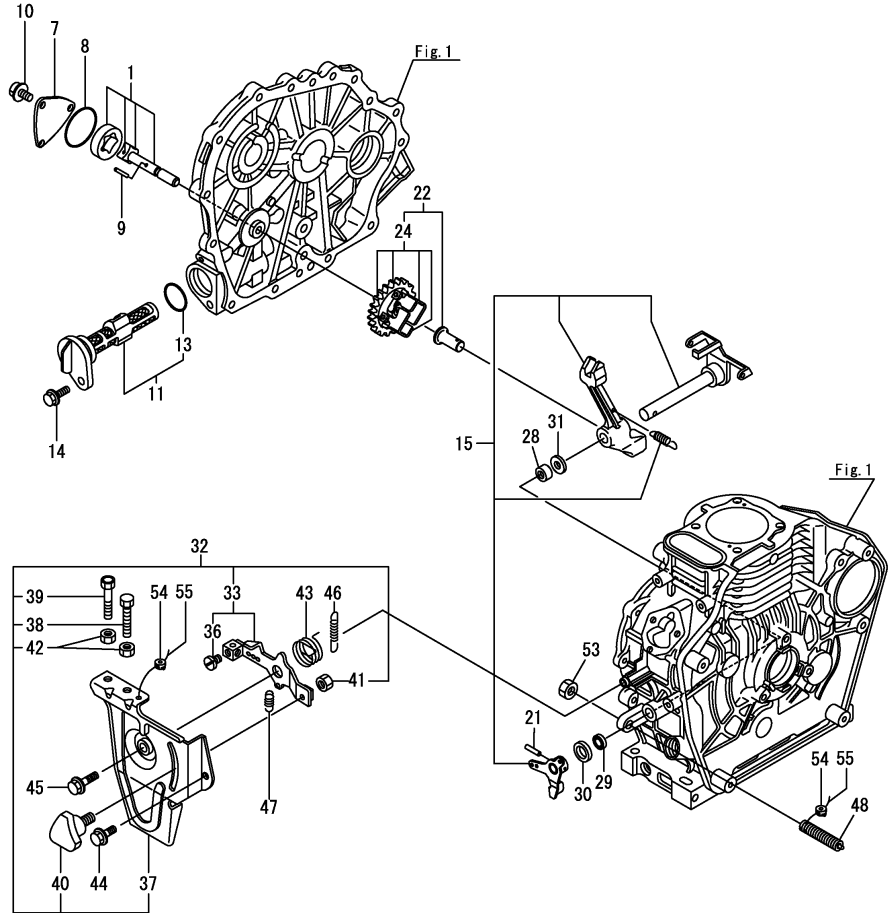
(F)=

REF.	LEV.	PARTS NO.	DESCRIPTION	QTY						I	R
				(A)	(B)	(C)	(D)	(E)	(F)		
1	1	71429C-14010	CAMSHAFT ASSY	1							
6	1	114299-14200	TAPPET	2							
7	1	114771-14260	TAPPET	1							
8	1	114250-14451	ROD ASSY, PUSH	2							
9	1	11429C-21720	CRANKSHAFT ASSY,D	1							
17	1	114299-21220	NUT	1							
18	1	114299-21590	FLYWHEEL ASSY	1							
21	2	114299-21600	GEAR, RING	1							
22	1	714120-22720	PISTON W/RINGS (D)	1							
24	2	714295-22500	RING SET, PISTON	1							
30	1	114299-22300	PIN, PISTON	1							
31	1	22252-000190	CIRCLIP 19	2							
32	1	71429C-23010	ROD ASSY, CONNECTING	1							
35	2	119265-23200	BOLT, ROD	2							
36	2	714770-23600	BEARING, CRANKPIN	1							
38	2	114770-23100	BUSH, PISTON PIN	1							
39	1	24101-062020	BALL BEARING	2							
40	1	714120-22620	PISTON W/RING .25OS	1							1
42	2	714295-22540	RING SET O.S.=0.25	1							1
46	1	714120-22580	PISTON W/RING .50OS	1							2
48	2	714295-22550	RING SET O.S.=0.50	1							2
52	1	714770-23610	BEARING,PIN(U.S.=0.25	1							3
54	1	714770-23620	BEARING,PIN(U.S.=0.50	1							4
56	1	714770-28531	SHAFT ASSY, BALANCER	1							
61	1	114299-21550	WASHER, FLYWHEEL	1							
62	1	22512-040120	KEY, 4X12	1							
63	1	160310-14550	WASHER	1							
64	1	22512-050300	KEY, 5X30	1							
65	1	26106-080202	BOLT M 8X 20 PLATED	1							

Remarks

- (1)Over sized(U.S.=0.25)parts.
- (2)Over sized(U.S.=0.50)parts.
- (3)Under sized(U.S.=0.25)parts.
- (4)Under sized(U.S.=0.50)parts.

Fig.5. LUB.OIL PUMP & GOVERNOR



OCW10-G65800 5. LUB.OIL PUMP & GOVERNOR

(A)=L48N5AF3T0AAAN

(B)=

(C)=

(D)=

(E)=

(F)=

REF.	LEV.	PARTS NO.	DESCRIPTION	QTY						I	R
				(A)	(B)	(C)	(D)	(E)	(F)		
1	1	114250-32010	PUMP ASSY, LUB.OIL	1							
7	1	114299-32070	COVER, LUB. OIL PUMP	1							
8	1	114299-32570	O-RING, COVER	1							
9	1	22312-030160	PARALLEL PIN, M3X16	1							
10	1	26106-060122	BOLT M 6X 12 PLATED	3							
11	1	114299-35110	FILTER CMP, LUB.OIL	1							
13	2	24341-000224	O-RING 1A S-22.4	1							
14	1	26106-060162	BOLT M 6X 16 PLATED	1							
15	1	114295-61170	LEVER ASSY, GOVERNOR	1							1
21	1	22322-030200	TAPER PIN, 3X20	1							
22	1	714299-61701	GOVERNOR ASSY	1							
24	2	114299-61210	WEIGHT ASSY,GOVERNOR	1							
28	1	114770-61520	BEARING,NEEDLE	2							
29	1	114299-61600	SEAL, OIL	1							
30	1	114770-61610	WASHER, THRUST	1							
31	1	114299-61190	WASHER, GOVERNOR	1							
32	1	714210-66100	SPEED CTRL, THAI	1							
33	2	114210-66060	HANDLE ASY,REGULATOR	1							
36	3	26117-050089	BOLT, M5X8	1							
37	2	114210-66100	BRACKET, REGULATOR	1							
38	2	114299-66440	BOLT, ADJUSTING	1							
39	2	114299-67080	BOLT, ADJUSTING	1							
40	2	160725-78350	KNOB, M6X15	1							
41	2	26347-060002	U-NUT M 6	1							
42	2	26757-060002	NUT M 6	2							
43	1	114299-66250	SPRING, RETURN	1							
44	1	26106-060142	BOLT M 6X 14 PLATED	1							
45	1	26106-060202	BOLT M 6X 20 PLATED	1							
46	1	114770-66010	SPRING, REGULATOR	1							
47	1	114299-66200	SPRING, RETURN	1							
48	1	114211-66600	LIMITER ASSY, FUEL	1							
53	1	26776-100002	LOCK NUT M10 PLATED	1							
54	1	114780-61090	TIN	2							
55	1	22451-060000	WIRE, 0.6	2							

Remarks

(1)On a guarantee of quality component parts shall not be sold.

Fig.6. COOLING & STARTING DEVICE

(A)=L48N5AF3T0AAAN

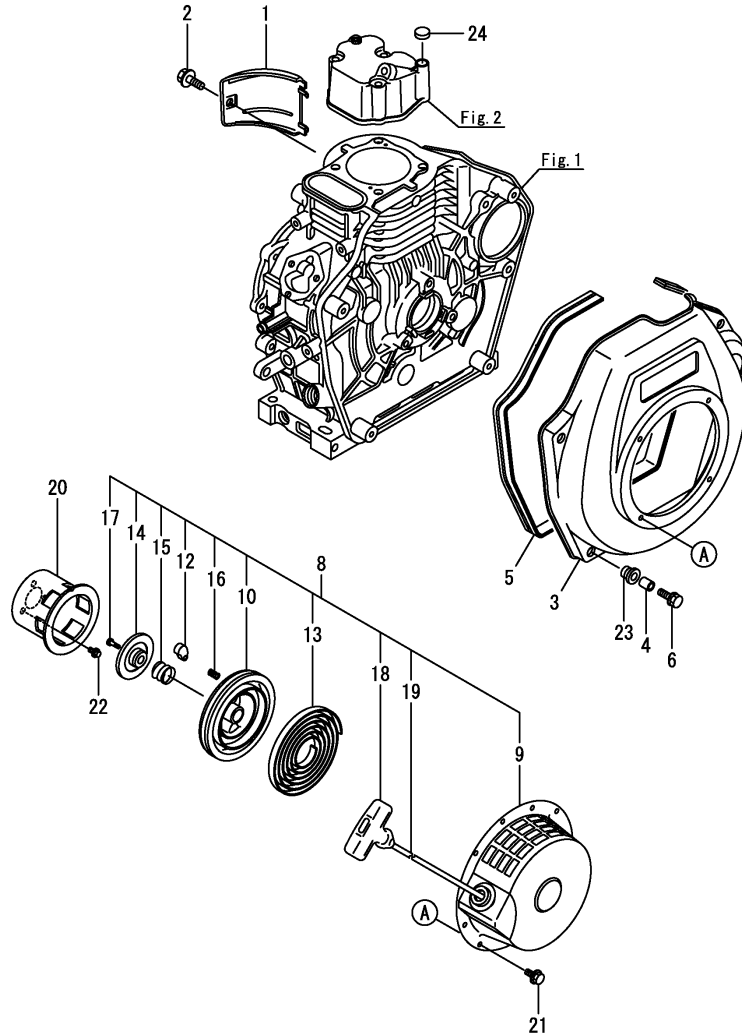
(B)=

(C)=

(D)=

(E)=

(F)=



REF.	LEV.	PARTS NO.	DESCRIPTION	QTY						I	R
				(A)	(B)	(C)	(D)	(E)	(F)		
1	1	114299-45210	COVER, CYLINDER	1							
2	1	26106-060122	BOLT M 6X 12 PLATED	1							
3	1	11429C-45100	CASE, COOLING FAN	1							
4	1	114299-45310	COLLAR, FAN CASE	4							
5	1	114120-45330	SEAL, FAN CASE	1							
6	1	114299-45350	BOLT, FAN CASE	4							
8	1	114299-76250	RECOIL STARTER(D)ASY	1							
9	2	114299-76500	CASE, STARTER	1							
10	2	114299-76521	REEL	1							
12	2	114399-76531	RATCHET	1							
13	2	114399-76540	SPRING, SPIRAL	1							
14	2	114399-76550	COVER, RATCHET	1							
15	2	114399-76560	SPRING	1							
16	2	114399-76570	SPRING, RETURN	1							
17	2	114399-76580	SCREW	1							
18	2	114399-76620	KNOB, STARTER	1							
19	2	114299-76630	ROPE, STARTER	1							
20	1	114299-76590	PULLEY, STARTER	1							
21	1	26106-060082	BOLT M 6X 8 PLATED	4							
22	1	26106-060122	BOLT M 6X 12 PLATED	3							
23	1	114299-45301	RUBBER, CUSHION	4							
24	1	129100-61850	PLUG 12,BORE	1							

Fig.7. F.I.PUMP & F.I.VALVE

(A)=L48N5AF3T0AAAN

(B)=

(C)=

(D)=

(E)=

(F)=

QTY

REF.	LEV.	PARTS NO.	DESCRIPTION	QTY						I	R
				(A)	(B)	(C)	(D)	(E)	(F)		
1	1	714139-51210	F.I.PUMP ASSY	1							
2	2	105546-51020	GASKET	1							
3	2	114250-51080	PLATE	1							
4	2	114250-51160	SPRING, PLUNGER	1							
5	2	114350-51200	BODY ASSY, PUMP	1							
11	4	22351-020006	SPRING PIN 2X 6	2							
12	2	114250-51300	VALVE ASSY, DELIVERY	1							
15	2	105546-51330	SPRING, DELIVERY	1							
16	2	114250-51340	HOLDER, DELIVERY	1							
17	2	124550-51350	GASKET, DELIVERY	2							
18	2	114250-51600	LEVER ASSY, CONTROL	1							
19	2	114250-51640	SEAT, SPRING A	1							
20	2	114250-51650	SEAT, SPRING B	1							
21	2	22351-030008	SPRING PIN 3X 8	1							
22	1	714139-53200	FUEL INJECTOR	1							
23	2	114250-53080	NUT, CASE	1							
24	2	114139-53100	HOLDER ASSY, NOZZLE	1							
28	3	22351-025005	SPRING PIN 2.5AX 6	1							
29	2	114250-53120	SPRING, NOZZLE	1							
30	2	114250-53130	SEAT, SPRING	1							
31	2	114250-53140	PLATE, STOP	1							
32	2	114139-53200	NOZZLE ASSY	1							
35	2	114250-53210	PIN	2							
36	2	114250-53400	SHIM SET	1							
48	1	114299-59850	ORIFICE	1							

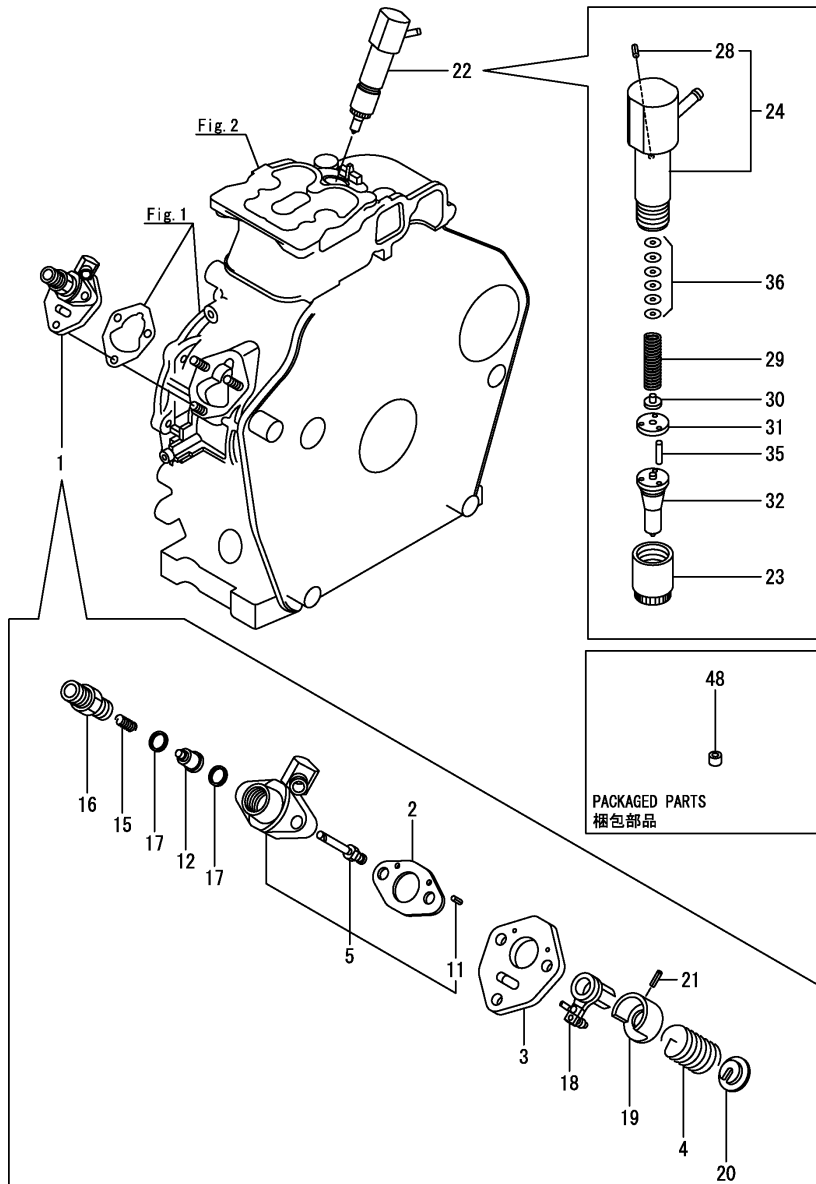
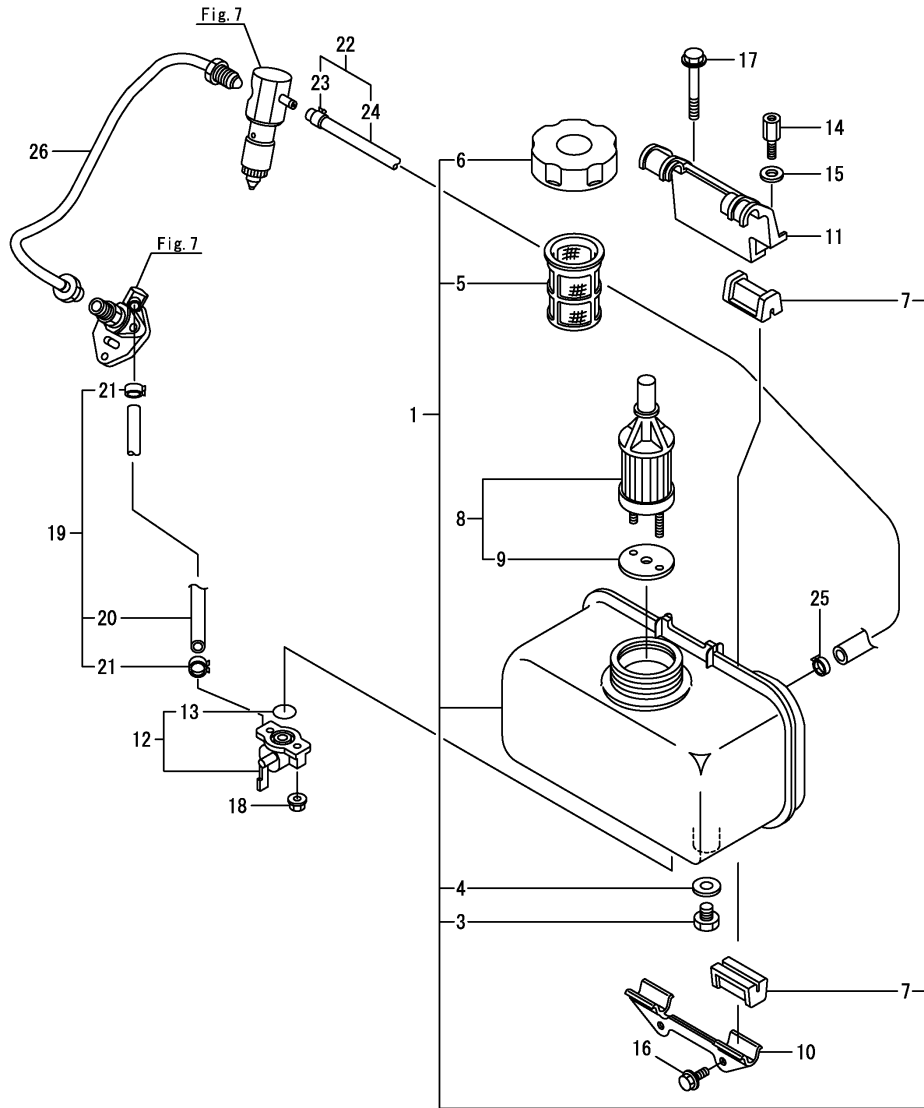


Fig.8. FUEL TANK & FUEL PIPE



0CW10-G65800 8. FUEL TANK & FUEL PIPE

(A)=L48N5AF3T0AAAN

(B)=

(C)=

(D)=

(E)=

(F)=

REF.	LEV.	PARTS NO.	DESCRIPTION	Q'TY						I	R
				(A)	(B)	(C)	(D)	(E)	(F)		
1	1	11429C-55710	TANK,FUEL	1							
3	3	114299-55080	PLUG, DRAIN	1							
4	3	23414-080000	GASKET 8, ROUND	1							
5	2	114299-55100	FILTER, FUEL OIL	1							
6	2	114299-55040	CAP ASSY, FUEL TANK	1							
7	2	114250-55201	DAMPER, FUEL TANK	4							
8	1	114250-55121	FILTER ASSY, FUEL	1							
9	2	114250-55130	GASKET	1							
10	1	114299-55210	STAY, FUEL TANK A	1							
11	1	114299-55230	STAY, FUEL TANK B	1							
12	1	114250-55301	COCK ASSY, FUEL	1							
13	2	24341-000150	O-RING 1A S-15.0	1							
14	1	114299-55810	BOLT, LIFTING	1							
15	1	22117-080000	WASHER 8	1							
16	1	26106-060162	BOLT M 6X 16 PLATED	2							
17	1	26106-080452	BOLT M 8X 45 PLATED	1							
18	1	26366-060002	NUT M 6	2							
19	1	114780-59010	PIPE ASSY, FUEL OIL	1							
20	2	114780-59060	PIPE, FUEL OIL	1							
21	2	23080-014000	CLAMP 14	2							
22	1	114120-59300	PIPE ASSY, RETURN	1							
23	2	124722-59050	CLIP, HOSE	1							
24	2	114650-59060	PIPE, FUEL RETURN	1							
25	2	124066-59100	CLIP, HOSE	1							
26	1	114120-59800	PIPE ASSY, INJECTION	1							

Fig.9. LABEL & GASKET SET

(A)=L48N5AF3T0AAAN

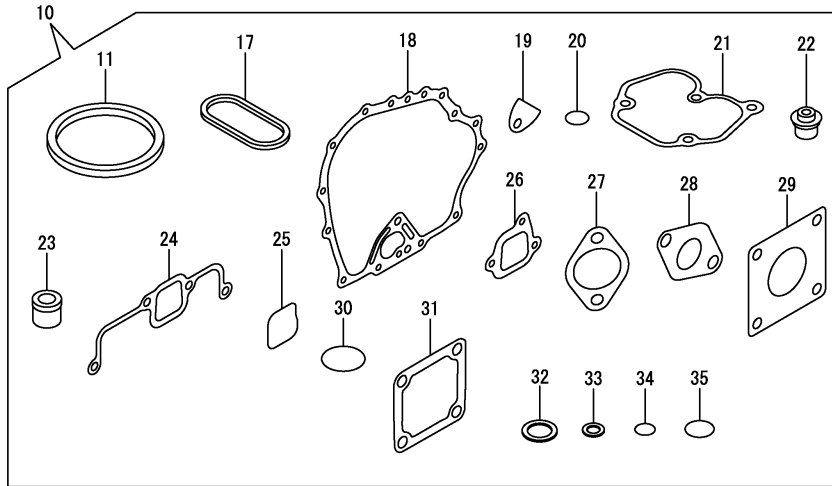
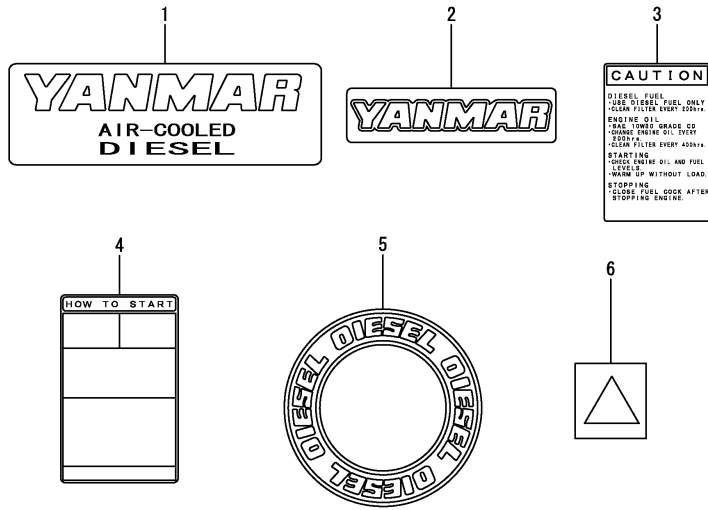
(B)=

(C)=

(D)=

(E)=

(F)=



REF.	LEV.	PARTS NO.	DESCRIPTION	QTY						I	R
				(A)	(B)	(C)	(D)	(E)	(F)		
1	1	114299-07100	LABEL, AIR COOLED	1							
2	1	114299-07110	LABEL, YANMAR	1							
3	1	114220-07100	LABEL, CAUTION	1							
4	1	114220-07110	LABEL HOW TO START-E	1							
5	1	114299-07160	LABEL, DIESEL	1							
6	1	114220-07130	LABEL, HOT SURFACE	1							
10	1	114120-92600	GASKET SET	1							1
11	2	114295-01330	GASKET ASSY, CYL.HEA	1							
17	2	114299-01380	O-RING	1							
18	2	114299-01410	GASKET, CRANK CASE	1							
19	2	114250-01841	GASKET, COVER	1							
20	2	114299-01950	O-RING	2							
21	2	114771-11310	GASKET, BONNET	1							
22	2	114250-11340	SEAL, VALVE STEM	2							
23	2	114771-11461	GASKET, NOZZLE	1							
24	2	114771-12200	GASKET,AIR INTAKE	1							
25	2	114288-12210	O-RING	1							
26	2	114299-12210	GASKET, AIR CLEANER	2							
27	2	114299-12920	GASKET, AIR CLEANER	1							
28	2	114299-13200	GASKET, MUFFLER	1							
29	2	114299-21980	GASKET, OIL SEAL	1							
30	2	114299-32570	O-RING, COVER	1							
31	2	129100-77510	GASKET, AIR HEATER	3							
32	2	22190-160002	WASHER, 16	2							
33	2	23414-080000	GASKET 8, ROUND	1							
34	2	24341-000150	O-RING 1A S-15.0	1							
35	2	24341-000224	O-RING 1A S-22.4	1							

Remarks  
(1)Optional parts.

N:Old  $\begin{matrix} \leftarrow \text{Yes} \\ \text{No} \end{matrix}$  New, Q:Old  $\begin{matrix} \leftarrow \text{No} \\ \text{Yes} \end{matrix}$  New, R:Old  $\begin{matrix} \leftarrow \text{Yes} \\ \text{Yes} \end{matrix}$  New, S:Old  $\begin{matrix} \leftarrow \text{No} \\ \text{No} \end{matrix}$  New, W:Add, Z:Discontinued, F:Interchangeable by set, K:Q'ty Change

## Part Number Index

All parts are stipulated in the order of part numbers.

(Depending on the area in which the part is used.)

This index will display the location of the part according to each part number.

## PARTS No. INDEX

PARTS No.	Fig.	Ref.No.
105546-51020	7	2
105546-51330	7	15
114110-11910	2	30
114120-11020	2	1
114120-12570	3	16
114120-13500	3	6
114120-45330	6	5
114120-59300	8	22
114120-59800	8	26
114120-92600	9	10
114139-53100	7	24
114139-53200	7	32
114210-66060	5	33
114210-66100	5	37
114211-66600	5	48
114220-07100	9	3
114220-07110	9	4
114220-07130	9	6
114240-11450	2	25
114240-11550	2	26
114250-01841	1	29
	9	19
114250-02100	1	38
114250-02113	1	53
114250-02200	1	45
114250-02210	1	46
114250-03591	2	35
114250-11180	2	8
114250-11240	2	16
		20
114250-11340	2	23
	9	22
114250-14451	4	8
114250-32010	5	1
114250-51080	7	3
114250-51160	7	4
114250-51300	7	12
114250-51340	7	16
114250-51600	7	18
114250-51640	7	19
114250-51650	7	20
114250-53080	7	23
114250-53120	7	29
114250-53130	7	30
114250-53140	7	31
114250-53210	7	35
114250-53400	7	36
114250-55121	8	8
114250-55130	8	9
114250-55201	8	7

PARTS No.	Fig.	Ref.No.
114250-55301	8	12
114252-12550	3	15
114252-12560	3	19
114288-12210	9	25
114288-12520	3	17
114288-12532	3	18
114295-01330	9	11
114295-01340	1	14
114295-11951	2	33
114295-61170	5	15
114299-01200	1	9
114299-01210	1	10
114299-01220	1	11
114299-01230	1	12
114299-01380	1	15
	9	17
114299-01410	1	34
	9	18
114299-01450	1	35
114299-01600	1	16
114299-01690	1	47
114299-01760	1	48
114299-01800	1	17
114299-01830	1	28
114299-01950	1	50
	9	20
114299-02030	1	52
114299-02220	1	54
114299-03640	2	38
114299-07100	9	1
114299-07110	9	2
114299-07160	9	5
114299-11120	2	7
114299-11600	2	27
114299-11901	2	28
114299-12210	3	13
	9	26
114299-12300	3	14
114299-12920	9	27
114299-13200	3	5
	9	28
114299-14200	4	6
114299-21220	4	17
114299-21550	4	61
114299-21590	4	18
114299-21600	4	21
114299-21980	9	29
114299-22300	4	30
114299-32070	5	7
114299-32570	5	8

PARTS No.	Fig.	Ref.No.
114299-32570	9	30
114299-35110	5	11
114299-35150	1	42
114299-45210	6	1
114299-45301	6	23
114299-45310	6	4
114299-45350	6	6
114299-55040	8	6
114299-55080	8	3
114299-55100	8	5
114299-55210	8	10
114299-55230	8	11
114299-55810	8	14
114299-59850	7	48
114299-61190	5	31
114299-61210	5	24
114299-61600	5	29
114299-66200	5	47
114299-66250	5	43
114299-66440	5	38
114299-67080	5	39
114299-76250	6	8
114299-76500	6	9
114299-76521	6	10
114299-76590	6	20
114299-76630	6	19
11429C-01020	1	1
11429C-11100	2	5
11429C-11110	2	6
11429C-11250	2	12
11429C-11260	2	13
11429C-11650	2	14
11429C-11660	2	18
11429C-21720	4	9
11429C-45100	6	3
11429C-55710	8	1
114350-51200	7	5
114399-01700	1	5
114399-76531	6	12
114399-76540	6	13
114399-76550	6	14
114399-76560	6	15
114399-76570	6	16
114399-76580	6	17
114399-76620	6	18
114650-12590	3	20
114650-59060	8	24
114770-23100	4	38
114770-61520	5	28
114770-61610	5	30

PARTS No.	Fig.	Ref.No.
114770-66010	5	46
114771-11310	2	32
	9	21
114771-11461	9	23
114771-12010	3	23
114771-12200	3	2
	9	24
114771-14260	4	7
114780-59010	8	19
114780-59060	8	20
114780-61090	5	54
119260-11370	2	24
119265-23200	4	35
124066-59100	8	25
124550-51350	7	17
124722-59050	8	23
124950-01250	1	13
129100-61850	6	24
129100-77510	9	31
160210-02220	1	55
160310-14550	4	63
160725-78350	5	40
714120-22580	4	46
714120-22620	4	40
714120-22720	4	22
714139-51210	7	1
714139-53200	7	22
714210-66100	5	32
714295-22500	4	24
714295-22540	4	42
714295-22550	4	48
714299-61701	5	22
71429C-14010	4	1
71429C-23010	4	32
714770-23600	4	36
714770-23610	4	52
714770-23620	4	54
714770-28531	4	56